

NEW

TRACK WHEEL

CONVERT YOUR WHEELCHAIR
INTO AN AGILE TRICYCLE



REHASENSE



GREETINGS FROM SILKEBORG, DENMARK



IS YOUR WHEEL CHAIR READY TO EXPLORE NEW PATHS?



Transform your wheelchair into a sporty tricycle and experience a new sense of speed and freedom!

The outdoor front wheel TRACK WHEEL is the ideal companion for excursions in the city, in the forest or on the beach: ultra-light, easy to attach and comfortable.

Are you ready for your next outdoor adventure? Whether you are crossing bumpy roads in the city, rolling over cycling and hiking trails, or exploring rough nature trails - with the Outdoor Front Wheel TRACK WHEEL you can move effortlessly on a wide range of terrains.

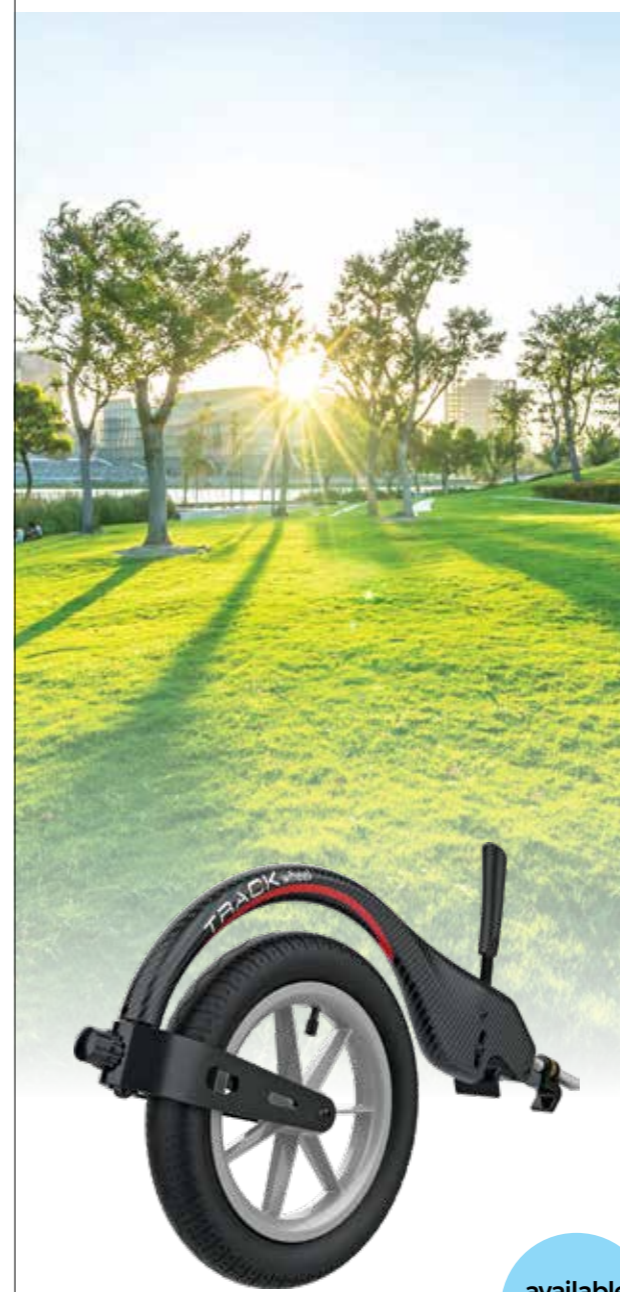
Thanks to the 12" TRACK WHEEL the castor wheels are raised, and the wheelchair is tilted slightly backwards. The rolling resistance is noticeably reduced. As a result, you can enjoy more speed, comfort and manoeuvrability when driving!

Once your TRACK WHEEL has been correctly adjusted to fit your wheelchair, it can be fastened within a few seconds!

TRACK WHEEL comes in two innovative docking systems: Single Arm with one clamping device and Double Arm with a double clamping device.

Our model Poul from Silkeborg drives our ICON 60 active wheelchair with Fat Tyres and the TRACK WHEEL Single arm made of carbon

EXPERIENCE A NEW SENSE OF FREEDOM MADE FOR OUTDOOR ADVENTURES



available immediately

SINGLE ARM

The TRACK WHEEL is attached to the rigid foot plate of the wheelchair. For docking after assembly, you do not need any tools or an additional bracket.



coming soon

DOUBLE ARM

The TRACK WHEEL was developed for maximum stability for wheelchairs with fixed integrated footrests and is therefore equipped with double clamping.

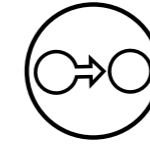
A DAY WITH JES AND BAMBUS



HIGHLIGHTS



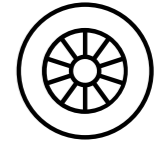
No tools required



2 Fitting solutions
Single, Double



Ultrafast docking system



Large 12" pneumatic wheels

ERGONOMIC AND ELEGANT DESIGN



Configuration: Single Arm, carbon fiber

AT A GLANCE

- Ultralight, starting from 2.6 kg
- Four models: Single Aluminium, Single Carbon, Double Aluminium, Double Carbon
- No additional holder necessary
- High comfort due to large 12 inch wheel
- Wheel with pneumatic tyres and anti-flutter fork
- Enjoyable driving experience even on bumpy roads
- Versatile fitting solutions for rigid and foldable wheelchairs, adjustable to many sizes
- Single Arm for rigid wheelchairs
- Double Arm for wheelchairs with fixed integrated footrests

SINGLE ARM

WITH A SINGLE CLAMP

If you use a wheelchair with a rigid foot plate, the TRACK WHEEL SINGLE ARM with one clamp is the right model for you.

Thanks to the ultra-light carbon fibre design, the weight of the TRACK WHEEL is only 2.6 kg with a size of 12 inches. The lightest on the market!

Attach the wheel in a matter of seconds and enjoy your freedom while driving!

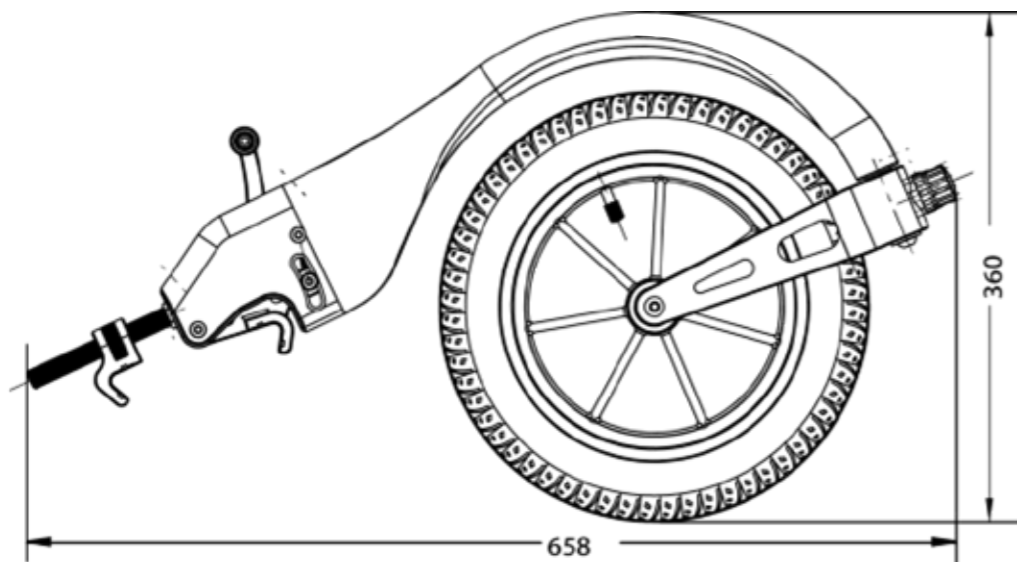
ultra light
2.6 kg



MATERIAL	ARTICLE NR
CARBON	RTW12SC
ALUMINIUM*	RTW12SA

*coming soon

VISUALIZATION (in mm)



DOUBLE ARM

WITH A DOUBLE CLAMP

TRACK WHEEL DOUBLE ARM with a double clamp was designed for wheelchairs with fixed integrated footrests.

Due to the ultra-light carbon fibre design the weight of TRACK WHEEL is only 4.5 kg with a size of 12 inches. The lightest on the market! Thanks to the universally adjustable clamping device you can enjoy maximum flexibility.

Experience your newfound freedom!

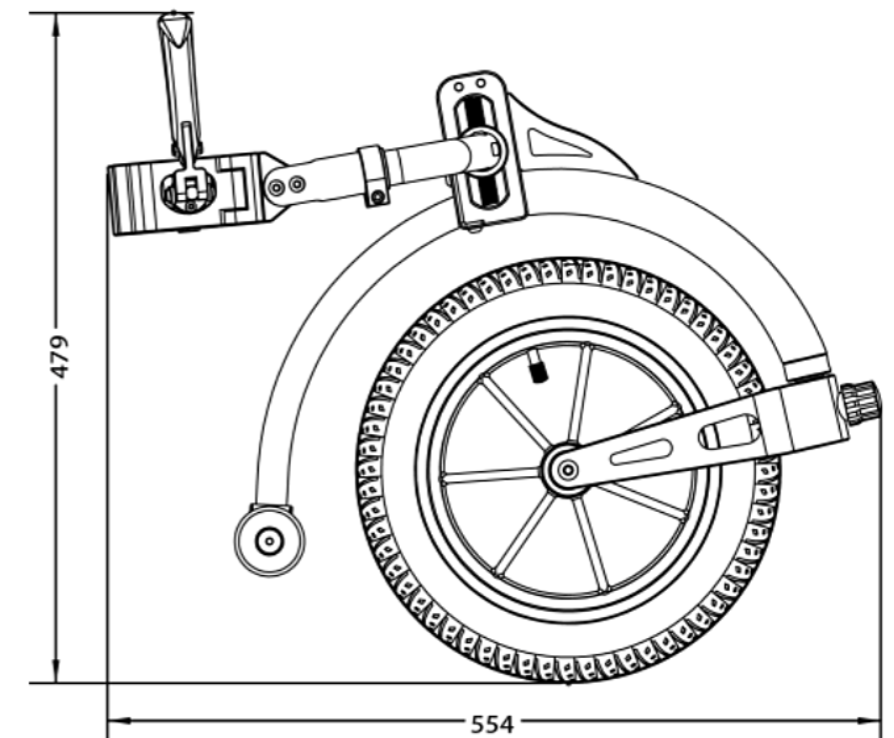
ultra light
4.5 kg



MATERIAL	ARTICLE NR
CARBON*	RTW12DC
ALUMINIUM*	RTW12DA

*coming soon

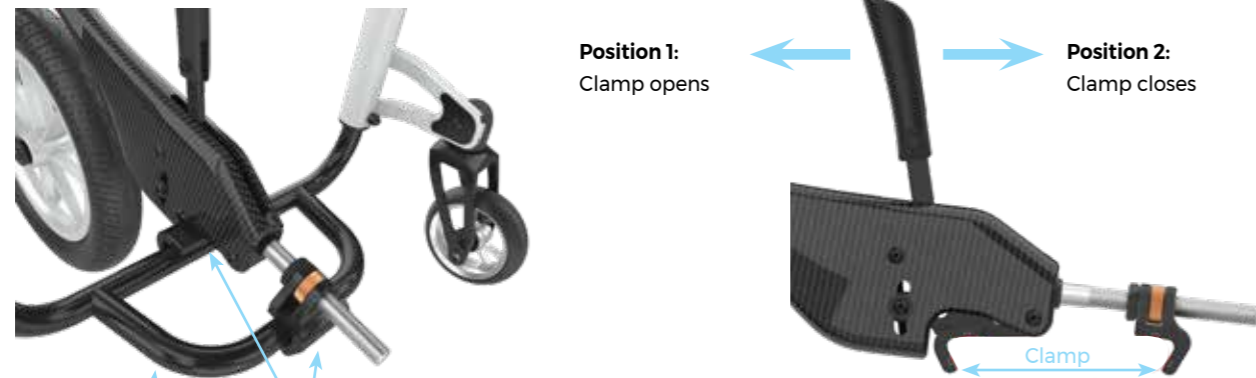
VISUALIZATION (in mm)



SINGLE ARM

PREPARING THE WHEEL

Before the first use, the TRACK WHEEL has to be adjusted and fine-tuned to fit your wheelchair. This process takes about 5-10 minutes with standard tools (Allen key size 4 and 5).



Your wheelchair must have a fixed continuous footplate or foot board. The Single Clamp is fastened on the footplate of rigid wheelchair.

ATTACHING THE WHEEL

After the first adjustment and fine-tuning to the wheelchair, attaching the wheel is easy. Just follow these steps:

1. Pivot the TRACK WHEEL outwards and move the lever to position 2.
2. Dock the TRACK WHEEL to the wheelchair, move the lever to position 1 to close it and pivot the TRACK WHEEL back inwards again.



Turn your TRACK WHEEL outwards when attaching it and back inwards to the starting position for driving. You will find more details in the user manual.

DOUBLE ARM

PREPARING THE WHEEL

Before the first use, the TRACK WHEEL is adjusted and fine-tuned to your own wheelchair. DOUBLE ARM models can be adjusted in height and width. The process takes a total of approx. 15-20 minutes.



Detail of the double clamp system. The illustration shows the left clamp together with the lever. To open and close, both levers (right + left) must be opened.

Your wheelchair must have firmly integrated footrests. The TRACK WHEEL can be attached easily with handy quick release clamps.

ATTACHING THE WHEEL

Fastening the Double Arm model is similarly easy after the initial adjustments and fine-tuning.

Just follow these steps:

1. Pivot the TRACK WHEEL outwards and move the levers of the quick release clamps to position 2.
2. Attach the TRACK WHEEL to the wheelchair, move the levers to position 1 to close and pivot the TRACK WHEEL back inwards.



Turn your TRACK WHEEL outwards when attaching it and back inwards to the starting position for driving. You will find a more details in the user manual.



Jes Georg Klein
Mobility expert at
Kørestolseksperter in Viborg,
Denmark



MY RECOMMENDATION FOR YOUR NEXT BEACH TRIP*

My colleagues and I have tested the TRACK WHEEL extensively. Only what is good enough for us is good enough for our customers!

You can even take your TRACK WHEEL to the beach for a fun day out. To do this, equip your wheelchair with fat tyres and slightly lower the tyre pressure.

I wish you maximum fun and relaxation!

*Make sure that driving on the beach is allowed.



.....
Your contact person



.....
Recommended product



.....
Space for your notes

.....
.....
.....



REHASENSE

REHASENSE DENMARK
GLARMESTERVEJ 16 A, ST. TV.
8600 SILKEBORG
DENMARK
☎ +49 176 588 788 01
✉ INFO@REHASENSE.COM

REHASENSE DEUTSCHLAND GMBH
BRIENER STRASSE 25
47533 KLEVE
GERMANY
☎ +49 176 588 788 01
✉ INFO@REHASENSE.COM

REHASENSE UK LIMITED / IRELAND
UNIT 2, HARMONY HOUSE
TRELEIGH INDUSTRIAL ESTATE
REDRUTH, CORNWALL TR16 4DE
UNITED KINGDOM
☎ +44 (0) 333 220 0704
✉ UKADMIN@REHASENSE.COM

REHASENES SP. Z O.O.
SULEJOWSKA 45C
97-300 PIOTRKÓW TRYBUNALSKI
POLAND
☎ +48 502 728 074
✉ INFO@REHASENSE.COM

REHASENSE BENELUX
MARKEWEG 81
8398CM BLESIJKE
NETHERLANDS
☎ +31 6 53837211
✉ INFO@REHASENSE.NL

REHASENSE CHINA,
NO.289, WENGJIAO ROAD
XINYANG INDUSTRIAL AREA
361022 HAICANG, XIAMEN
CHINA
☎ +86 592 688 4014
✉ EVELYN.CHEN@REHASENSE.COM

REHASENSE KOREA
1F. 338-46, DONGBUSUNHWAN-RO, WONJU-SI
26454 GANGWON-DO
REPUBLIC OF KOREA
☎ +82 070 4216 3429
✉ JONGSUNG.KIM@REHASENSE.COM

REHASENSE NEW ZEALAND
UNIT 4, 260 APIRANA AVENUE
GLEN INNES, AUCKLAND, 1072
NEW ZEALAND
☎ +09 555 3111
✉ INFO@REHA-CARE-PRO.CO.NZ

REHASENSE CANADA
UNIT 6 B, 51 CALDARI ROAD
CONCORD, ONTARIO, L4K 4G3
CANADA
✉ HUGHES.MYNER@REHASENSE.COM

REHASENSE MENA
QETAF MEDICAL EST
3599 PRINCE MOHAMMED BIN ABDULAZIZ ST
SAUD LANGAWI CENTER, AL ANDALUS
JEDDAH 23326
SAUDI ARABIA
☎ +96 650 664 1993
✉ SALES-MIDDLE-EAST@REHASENSE.COM

Visit us on social media



www.rehasense.com